

**RT 38 (A822)**

## PARTS CATALOG

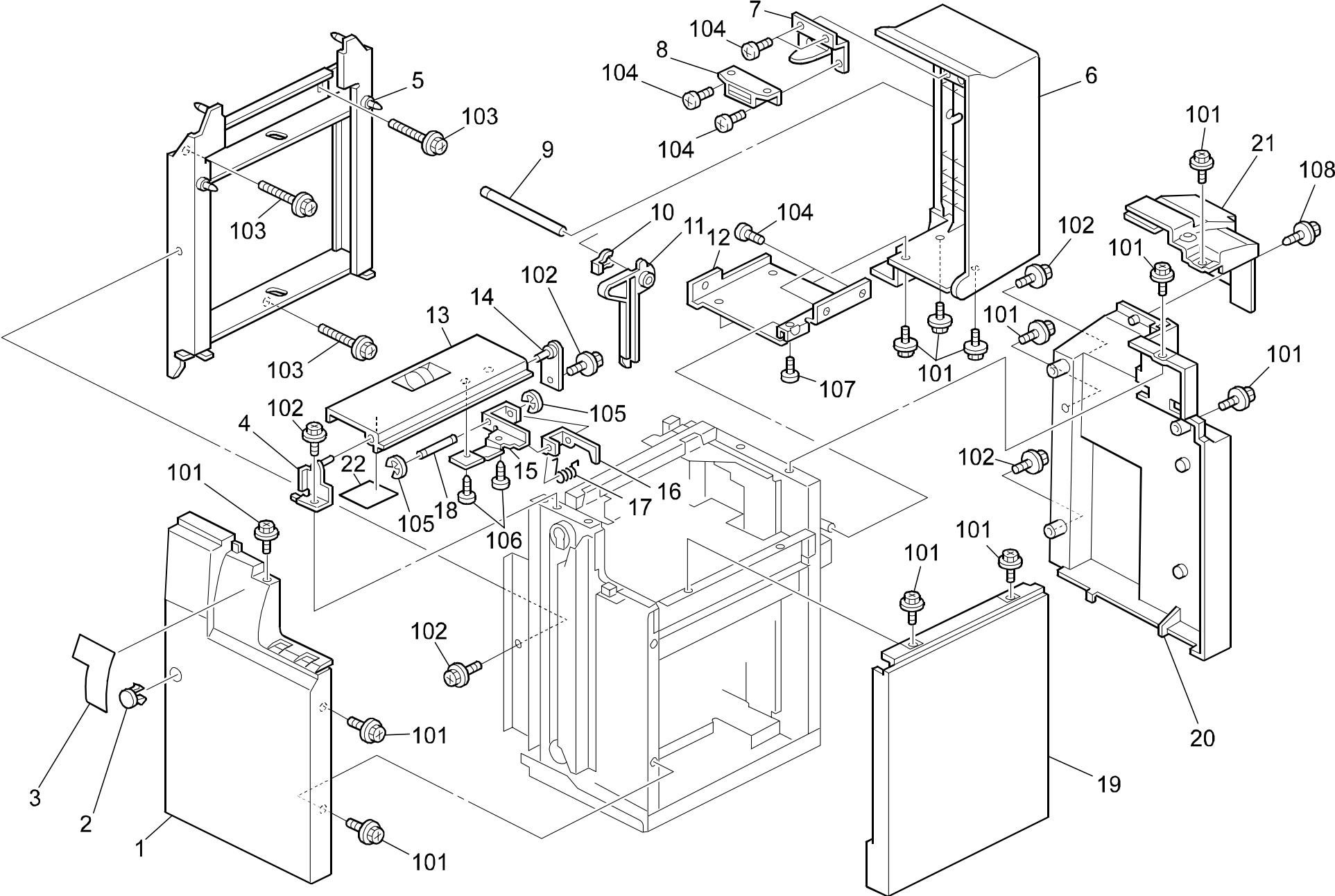
### INTRODUCTION

This chapter instructs you the numbers and names of parts on this machine.

### INDEX to PARTS CATALOG

1.Exterior (A822) .....	2
2.Tray Drive Section (A822) .....	4
3.Paper Feed Section 1 (A822) .....	6
4.Paper Feed Section 2 (A822) .....	8
5.Electrical Section (A822) .....	10
6.Frame Section (A822) .....	12
7.Decal And Document (A822) .....	14
<b>Parts Index .....</b>	<b>17</b>

1.Exterior (A822)

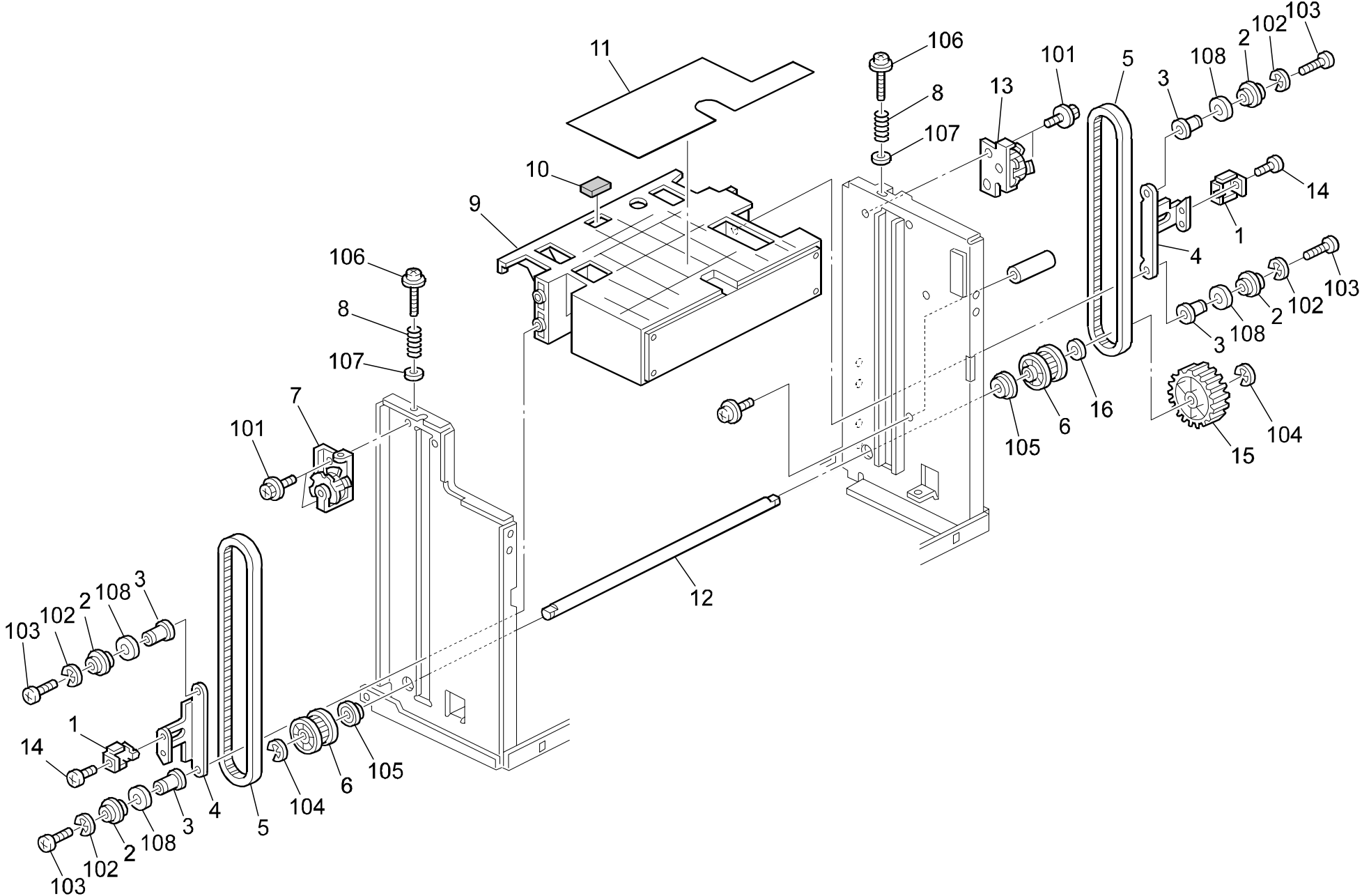


## 1.Exterior (A822)

Index No.	Part No.	Description	Q'ty Per Assembly
1	A698 1151	Front Cover	1
2	A247 1318	Cap - 17	1
3	A822 1181	Decal - Paper Set	1
4	A380 1211	Front Hinge	1
5	A380 1020	LCT Stay (LT)	1
5	A698 1020	Holder - Ass'y (A4)	1
6	A698 1221	Upper Cover	1
7	A698 1232	Door Catch	1
8	AG07 0004	Magnetic Catch	2
9	A698 1233	End Fence Shaft	1
10	5447 2681	Snap Ring	3
11	A380 1234	End Fence	1
12	A380 1231	Hinge Stay	1
13	A698 1201	Cover - Misfeed Removal	1
14	A698 1215	Rear Hinge	1
15	A609 1298	Paper Sensor Holder (LT)	1
15	A698 1298	Plate - Switch (A4)	1
16	A380 1293	Actuator	1
17	A380 1299	Pressure Spring	1
18	A380 1292	Actuator Shaft	1
19	A698 1251	Right Cover	1
20	A698 1161	Rear Lower Cover	1
21	A698 1171	Rear Upper Cover	1
22	A609 1182	Decal - Misfeed Removal	1

Index No.	Part No.	Description	Q'ty Per Assembly
101	0451 4008H	Tapping Screw - 4x8	
102	0451 4008B	Philips Tapping Screw - M4x8	
103	0951 4016B	Philips Screw With Flat Washer - M4x16	
104	0452 4008B	Tapping Screw - M4x8	
105	0720 0020E	Retaining Ring - M2	
106	0452 4012B	Tapping Bind Screw - M4x12	
107	0314 0120B	Philips Pan Head Screw - M4x12	
108	0450 4012Z	Tapping Screw - M4x12	

# 2.Tray Drive Section (A822)

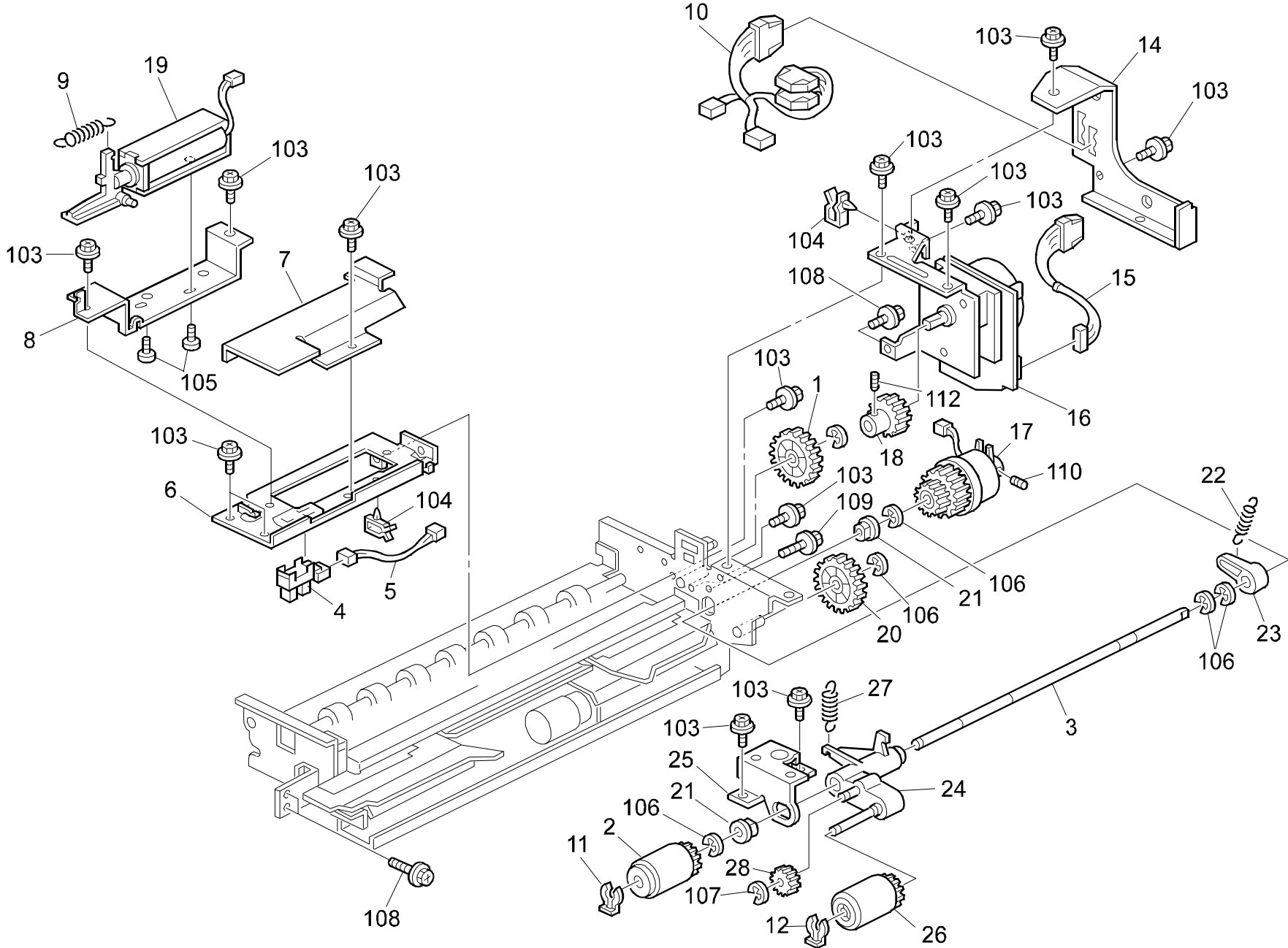


## 2.Tray Drive Section (A822)

Index No.	Part No.	Description	Q'ty Per Assembly
1	A380 1810	Timing Belt Clamp	2
2	A380 1754	Ball Bearing Guide	4
3	A380 1752	Roller Shaft	4
4	A698 1753	Timing Belt Bracket	2
5	A380 1801	Timing Belt - S5M T210	2
6	A380 1803	Timing Pulley - S5M 22Z	2
7	A380 1820	Front Idler Bracket	1
8	AA06 3038	Pressure Spring	2
9	A380 1785	LCT Tray	1
10	A421 2543	Friction Pad	1
11	A380 1141	Decal - Paper Size	1
12	A380 1805	Tray Lift Shaft	1
13	A380 1825	Rear Idler Bracket	1
14	5875 2088	Shoulder Screw - M4	2
15	A380 1806	Dreive Gear - 42Z	1
16	A042 2568	Spacer - 8.1x10x3.7	1

Index No.	Part No.	Description	Q'ty Per Assembly
101	0451 4008B	Philips Tapping Screw - M4x8	
102	0720 0060B	Retaining Ring - M6	
103	0314 0200B	Philips Pan Head Screw - M4x20	
104	0720 0050B	Retaining Ring - M5	
105	0742 3808	Ball Bearing - 8x16x5	
106	0957 4030B	Screw - M4X3	
107	0708 0040B	Washer - M4	
108	0805 3270	Ball Bearing - 8x16x5mm	

### 3.Paper Feed Section 1 (A822)



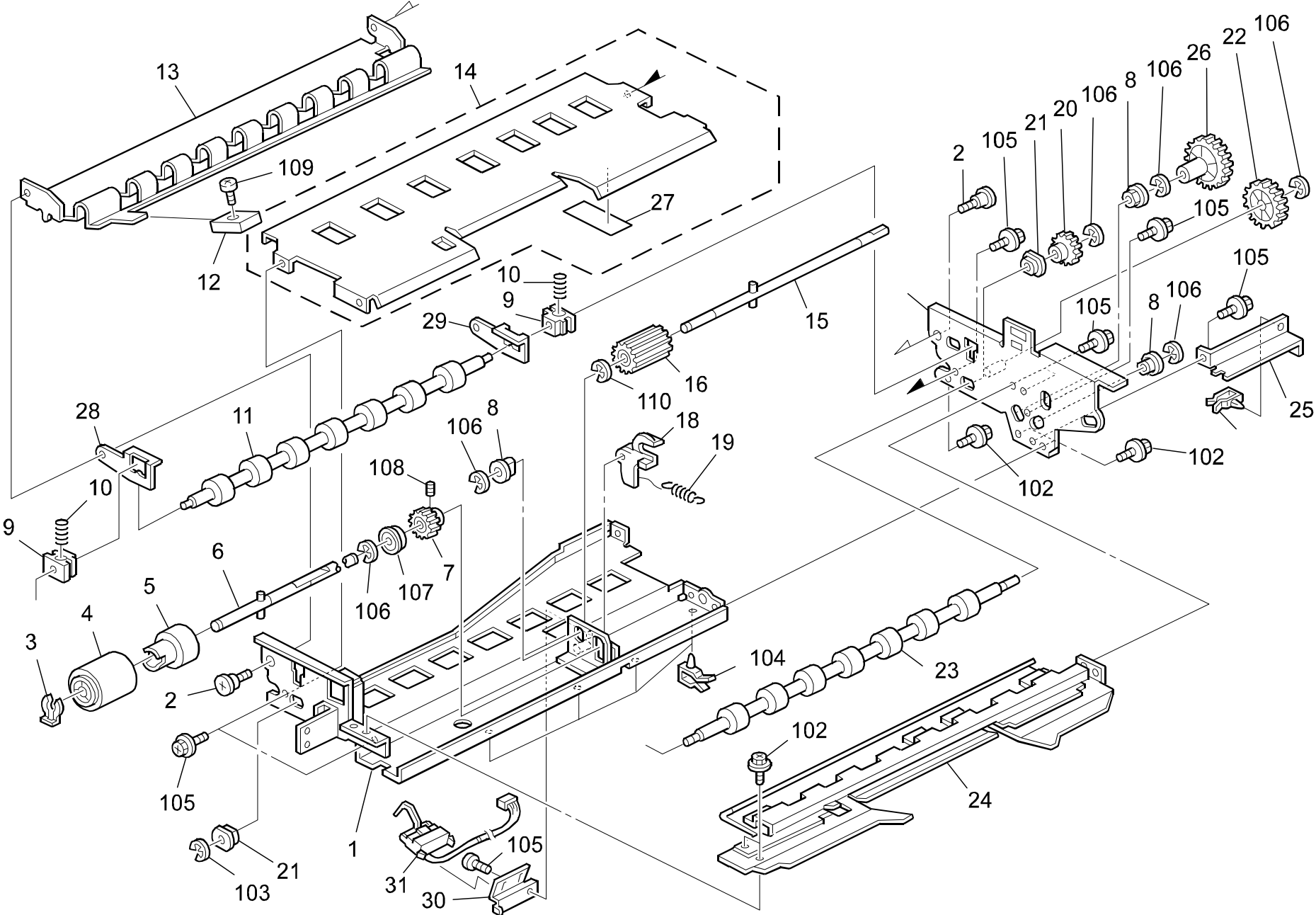
### 3.Paper Feed Section 1 (A822)

Index No.	Part No.	Description	Q'ty Per Assembly
1	AB01 3167	Gear - 32T	1
2	<b>AF03 1041</b>	<b>Feed Roller - Bypass Feed</b>	<b>1</b>
3	AA14 0678	Feed Roller Shaft	1
4	AW02 0056	Photointerruptor - EE-SX4235A-P1	5
5	A698 5330	Upper Sensor Harness	1
6	A698 2271	Upper Stay	1
7	A380 2431	Solenoid Cover	1
8	A698 2281	Solenoid Bracket	1
9	A380 2460	Pick-up Release Spring	1
10	A380 5604	Relay Harness - Paper Feed	1
11	5215 2621	Snap Ring - M6	2
12	5447 2681	Snap Ring	1
13	AA08 2078	Bushing - 8mm	2
14	A698 2421	Harness Clamp Bracket	1
15	A609 5610	Relay Harness	1
16	AX06 0079	Motor - DC 11.6/8.9W	1
17	AX20 0155	Magnetic Clutch	1
18	A380 2418	Drive Gear - 22Z	1
19	A380 2280	Pick-up Solenoid	1
20	A380 2390	Idler Gear - 33Z	1
21	AA08 2047	Bushing - 8x16x7	2
22	A380 2494	Pressure Spring	1
23	A096 6353	Feed Roller Lever	1
24	A380 2211	Pick-up Arm	1
25	A698 2353	Feed Roller Bracket	1
26	<b>AF03 0041</b>	<b>Pick-up Roller - Bypass Feed</b>	<b>1</b>
27	AA06 0747	Pressure Spring	1
28	5447 2706	Gear - 15T	1

Index No.	Part No.	Description	Q'ty Per Assembly
101	1105 0199	Clamp	
102	0453 3006B	Tapping Screw - M3x6	
103	0451 4006B	Tapping Screw - 4x6	
104	1105 0200	Clamp	
105	0451 3010B	Tapping Screw - M3x10	
106	0720 0060B	Retaining Ring - M6	
107	0720 0040B	Retaining Ring - M4	
108	0451 3006B	Tapping Screw - M3x6	
109	0451 4016B	Tapping Screw - M4-16	
110	0573 0040E	Hexagon Headless Set Screw - M3x4	
111	0451 4008B	Philips Tapping Screw - M4x8	
112	0574 0050E	Hexagon Headless Set Screw - M4x5	



4. Paper Feed Section 2 (A822)

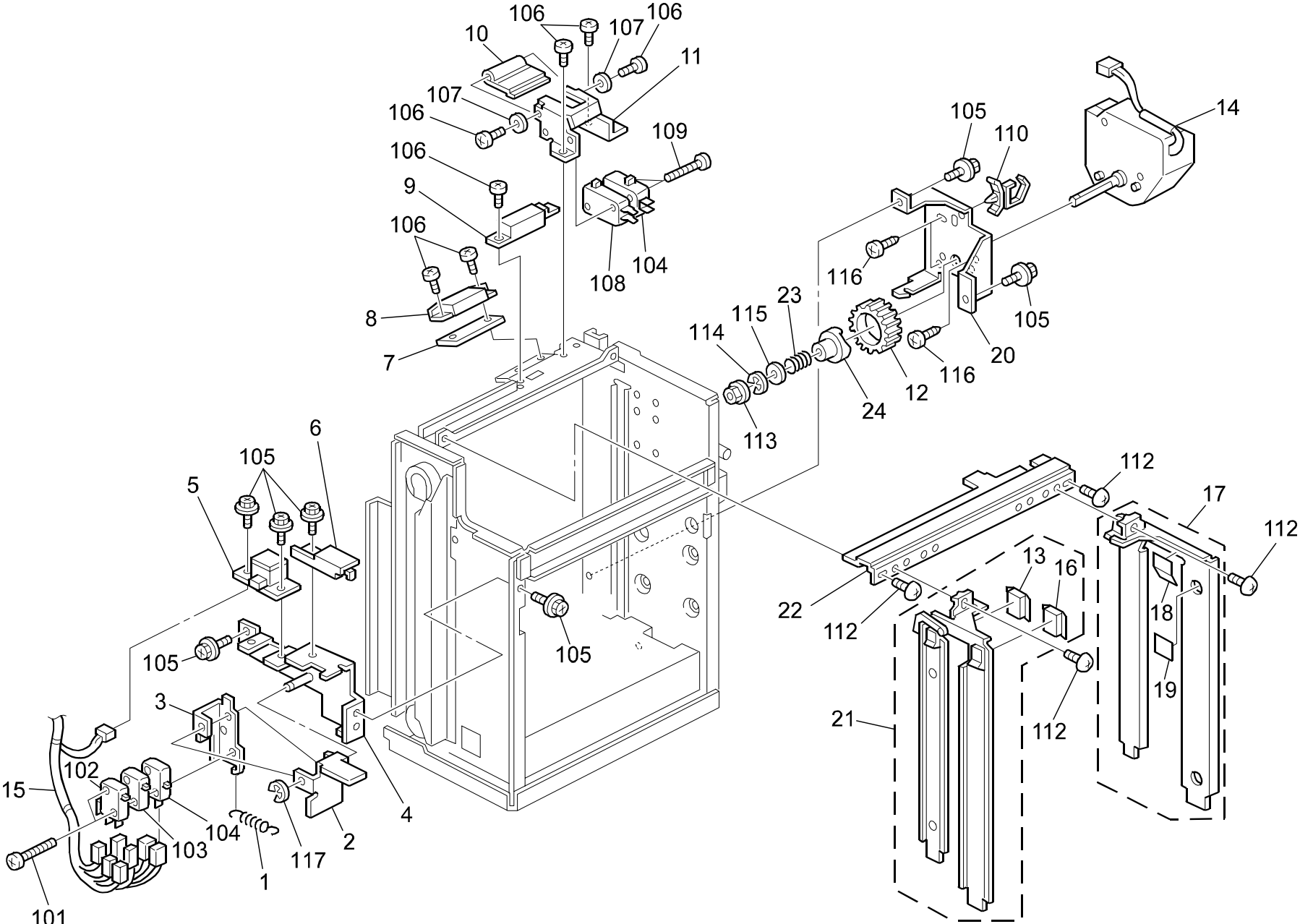


#### 4.Paper Feed Section 2 (A822)

Index No.	Part No.	Description	Q'ty Per Assembly
1	A822 2111	Base - Paper Feed Unit	1
2	C219 3950	Stepped Screw	2
3	5447 2681	Snap Ring	1
4	<b>AF03 2041</b>	<b>Separation Roller - Bypass Feed</b>	<b>1</b>
5	A247 2900	Torque Limiter - 53MNXM	1
6	A698 2342	Reverse Driven Shaft	1
7	AB01 1391	Driven Reverse Gear	1
8	AA08 2046	Bushing - 6x12x6	5
9	AA08 0300	Bushing - 6mm	2
10	AA06 3574	Pressure Spring	2
11	AF02 0443	Grip Roller - Driven	1
12	A353 2243	Lever Knob	1
13	A822 2311	Guide Plate	1
14	A822 2360	Lower Guide Plate	1
15	A698 2251	Reverse Drive Shaft	1
16	AB01 1392	Drive Reverse Gear	1
17	A822 2151	Rear Side Plate	1
18	A683 2666	Pressure Lever	1
19	AA06 0636	Pressure Spring	1
20	A380 2458	Drive Gear - 22Z	1
21	AA08 2078	Bushing - 8mm	1
22	AB01 3167	Gear - 32T	1
23	AF02 0442	Grip Roller - Drive	1
24	A822 2351	Upper Guide Plate	1
25	A822 2441	Stud - Harness Bracket	1
26	A380 2053	Reverse Gear - 30Z	1
27	A077 1384	Counter Seal - 23X43	1
28	A822 2312	Front Arm	1
29	A822 2313	Rear Arm	1
30	A380 2331	Sensor Bracket	1
31	AW02 0038	Photosensor Ass'y	1

Index No.	Part No.	Description	Q'ty Per Assembly
101	1105 0328	Harness Clamp - ES-0505	
102	0451 4008B	Philips Tapping Screw - M4x8	
103	0720 0060B	Retaining Ring - M6	
104	1105 0200	Clamp	
105	0451 4006B	Tapping Screw - 4x6	
106	0720 0040B	Retaining Ring - M4	
107	0805 3145	Ball Bearing - 6x12x4mm	
108	0573 0030E	Hexagon Headless Set Screw - M3x3	
109	0313 0040B	Philips Pan Head Screw - M3x4	
110	0720 0050B	Retaining Ring - M5	

5.Electrical Section (A822)

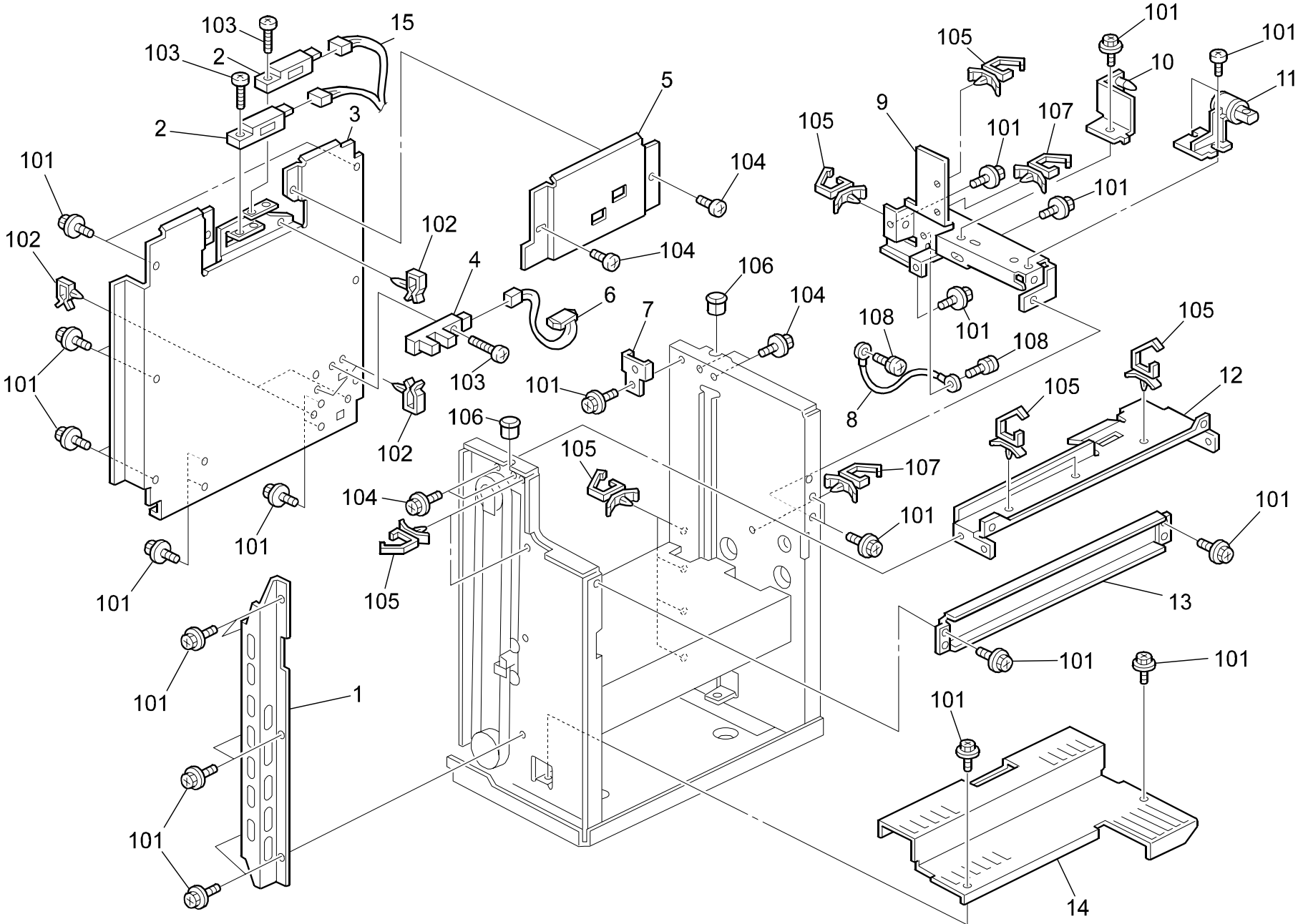


## 5. Electrical Section (A822)

Index No.	Part No.	Description	Q'ty Per Assembly
1	A380 2490	Reverse Roller Pressure Spring	1
2	A380 1262	Door Switch Holder	1
3	A380 1261	Operation Key Bracket	1
4	A380 1263	Door Switch Bracket	1
5	A355 5320	Push Switch	1
6	A380 1267	Magnetic Holder	1
7	A609 1357	Safety Switch Cover	1
8	AG07 0004	Magnetic Catch	1
9	AW01 0064	Optical Sensor Ass'y	1
10	A609 1359	Micro Switch Plate	1
11	A380 1357	Safety Switch Cover	1
12	A609 1603	Drive Gear	1
13	A609 1915	Paper Holder (LT)	2
13	A698 1910	Paper Holder (A4)	2
14	AX04 0091	DC Motor - 21.6W	1
15	A609 5600	Main Harness	1
16	A609 1916	Side Fence Pad (LT)	2
16	A698 1910	Paper Holder (A4)	2
17	A609 1852	Rear Side Frnce (LT)	1
17	A698 1852	Side Fence - Rear (A4)	1
18	A380 1935	Rear Guide Sheet	1
19	AA00 2010	Decal - Paper Level	1
20	A698 1601	Motor Bracket	1
21	A609 1851	Front Side Fence (LT)	1
21	A698 1851	Side Fence - Front (A4)	1
22	A380 1941	Side Fence Adjuster - Upper (LT)	1
22	A698 1941	Positioning Plate - Side Fence (A4)	1
23	A380 1436	Pressure Spring	1
24	A609 1602	Joint - Drive	1

Index No.	Part No.	Description	Q'ty Per Assembly
101	0313 0350B	Philips Pan Head Screw - M3x35	
102	1204 0192	Microswitch - UL	
103	1204 1148	Microswitch	
104	1204 2136	Micro Switch	
105	0451 4008B	Philips Tapping Screw - M4x8	
106	0453 3008B	Bind Tapping Screw - M3x8	
107	0708 0030B	Washer - M3	
108	1204 0704	Micro Switch - D2RV-G	
109	0313 0250B	Philips Pan Head Screw - M3x25	
110	1105 0310	Harness Clamp - LWS-1S	
112	0344 0050F	Philips Truss Head Screw - M4x5	
113	0805 3389	Bushing - 8x10x6mm	
114	0720 0050B	Retaining Ring - M5	
115	0807 5056	Washer - 8.1mm	
116	0452 4010B	Tapping Bind Screw - M4x10	
117	0720 0040B	Retaining Ring - M4	

# 6.Frame Section (A822)



## 6.Frame Section (A822)

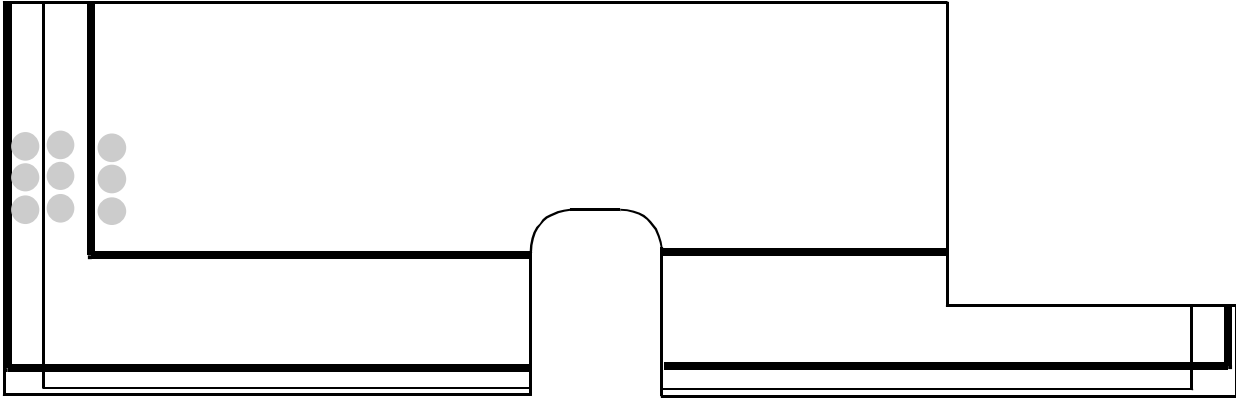


Index No.	Part No.	Description	Q'ty Per Assembly
1	A380 1381	Front Support Plate	1
2	AW01 0027	Photosensor - ON2530 CT	2
3	A380 1352	Left Bracket (LT)	1
3	A698 1352	Left Bracket (A4)	1
4	AW02 0012	Photointerruptor	1
5	A380 1354	Registration Roller Cover	1
6	A380 5605	Relay Harness - Paper Tray	1
7	A380 1213	Rear Bracket - Misfeed	1
8	A698 5360	Grounding Harness	1
9	A380 1271	Large Hinge Bracket	1
10	A380 1272	Hinge Bracket	1
11	A380 1281	Hinge Rubber Cover	1
12	A609 1355	Upper Stay (LT)	1
12	A698 1355	Stay:upper (A4)	1
13	A380 1356	Right Stay	1
14	A380 1942	Side Fence Adjuster - Lower	1
15	A822 5310	DC Relay Harness	1

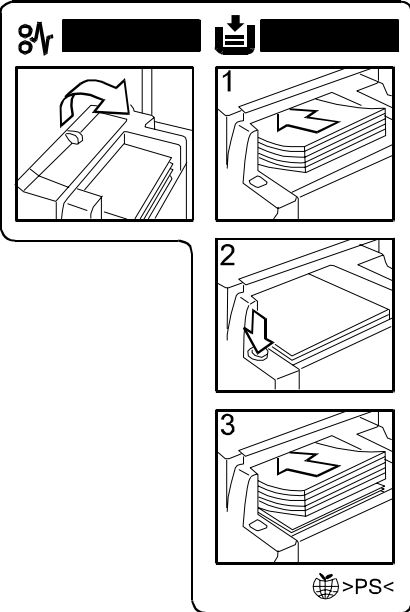
Index No.	Part No.	Description	Q'ty Per Assembly
101	0451 4008B	Philips Tapping Screw - M4x8	
102	1105 0200	Clamp	
103	0453 3010B	Binding Screw	
104	0453 4008B	Tapping Bind Screw - M4x8	
105	1105 0310	Harness Clamp - LWS-1S	
106	1106 0241	Bushing - 6.7mm	
107	1105 0292	Wire Saddle	
108	0950 4006B	Screw - M4X6	

7.Decal And Document (A822)

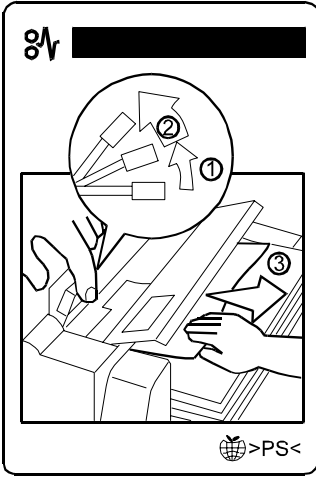
1



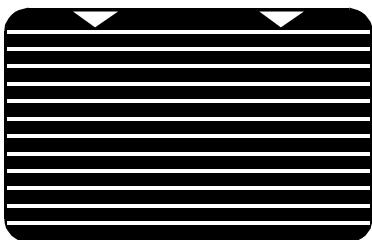
2



3



4



**7.Decal And Document (A822)**

Index No.	Part No.	Description	Q'ty Per Assembly
1	A380 1141	Decal - Paper Size	1
2	A822 1181	Decal - Paper Set	1
3	A609 1182	Decal - Misfeed Removal	1
4	AA00 2010	Decal - Paper Level	1

Index No.	Part No.	Description	Q'ty Per Assembly



# **PARTS INDEX**

## PM Parts Index

Section Name	Part No.	Description in Service Manual	Description in Parts Catalog	Q'ty Per Assembly	Page and Index No
Paper Feed Section 1 (A822)	AF03 0041	Pick-up Roller	Pick-up Roller	1	7- 26
	AF03 1041	Paper Feed Roller	Paper Feed Roller	1	7- 32
Paper Feed Section 2 (A822)	AF03 2041	Separation Roller	Separation Roller	1	9- 4

Part No.	Description	Page and Index No.
A822 1181	Decal - Paper Set	3- 3
A822 1181	Decal - Paper Set	15- 2
A822 2111	Base - Paper Feed Unit	9- 1
A822 2151	Rear Side Plate	9- 17
A822 2311	Guide Plate	9- 13
A822 2312	Front Arm	9- 28
A822 2313	Rear Arm	9- 29
A822 2351	Upper Guide Plate	9- 24
A822 2360	Lower Guide Plate	9- 14
A822 2441	Stud - Harness Bracket	9- 25
A822 5310	DC Relay Harness	13- 15

Part No.	Description	Page and Index No
AA00 2010	Decal - Paper Level	11- 19
AA00 2010	Decal - Paper Level	15- 4
AA06 0636	Pressure Spring	9- 19
AA06 0747	Pressure Spring	7- 27
AA06 3038	Pressure Spring	5- 8
AA06 3574	Pressure Spring	9- 10
AA08 0300	Bushing - 6mm	9- 9
AA08 2046	Bushing - 6x12x6	9- 8
AA08 2047	Bushing - 8x16x7	7- 21
AA08 2078	Bushing - 8mm	7- 13
AA08 2078	Bushing - 8mm	9- 21
AA14 0678	Feed Roller Shaft	7- 3
AB01 1391	Driven Reverse Gear	9- 7
AB01 1392	Drive Reverse Gear	9- 16
AB01 3167	Gear - 32T	9- 22
AB01 3167	Gear - 32T	7- 1
AF02 0442	Grip Roller - Drive	9- 23
AF02 0443	Grip Roller - Driven	9- 11
AF03 0041	Pick-up Roller - Bypass Feed	7- 26
AF03 1041	Feed Roller - Bypass Feed	7- 2
AF03 2041	Separation Roller - Bypass Feed	9- 4
AG07 0004	Magnetic Catch	11- 8
AG07 0004	Magnetic Catch	3- 8
AW01 0027	Photosensor - ON2530 CT	13- 2
AW01 0064	Optical Sensor Ass'y	11- 9
AW02 0012	Photointerruptor	13- 4
AW02 0038	Photosensor Ass'y	9- 31
AW02 0056	Photointerruptor - EE-SX4235A-P1	7- 4
AX04 0091	DC Motor - 21.6W	11- 14
AX06 0079	Motor - DC 11.6/8.9W	7- 16
AX20 0155	Magnetic Clutch	7- 17
C219 3950	Stepped Screw	9- 2

Part No.	Description	Page and Index No.
A042 2568	Spacer - 8.1x10x3.7	5- 16
A077 1384	Counter Seal - 23X43	9- 27
A096 6353	Feed Roller Lever	7- 23
A247 1318	Cap - 17	3- 2
A247 2900	Torque Limiter - 53MNXM	9- 5
A353 2243	Lever Knob	9- 12
A355 5320	Push Switch	11- 5
A380 1020	LCT Stay (LT)	3- 5
A380 1141	Decal - Paper Size	15- 1
A380 1141	Decal - Paper Size	5- 11
A380 1211	Front Hinge	3- 4
A380 1213	Rear Bracket - Misfeed	13- 7
A380 1231	Hinge Stay	3- 12
A380 1234	End Fence	3- 11
A380 1261	Operation Key Bracket	11- 3
A380 1262	Door Switch Holder	11- 2
A380 1263	Door Switch Bracket	11- 4
A380 1267	Magnetic Holder	11- 6
A380 1271	Large Hinge Bracket	13- 9
A380 1272	Hinge Bracket	13- 10
A380 1281	Hinge Rubber Cover	13- 11
A380 1292	Actuator Shaft	3- 18
A380 1293	Actuator	3- 16
A380 1299	Pressure Spring	3- 17
A380 1352	Left Bracket (LT)	13- 3
A380 1354	Registration Roller Cover	13- 5
A380 1356	Right Stay	13- 13
A380 1357	Safety Switch Cover	11- 11
A380 1381	Front Support Plate	13- 1
A380 1436	Pressure Spring	11- 23
A380 1752	Roller Shaft	5- 3
A380 1754	Ball Bearing Guide	5- 2
A380 1785	LCT Tray	5- 9
A380 1801	Timing Belt - S5M T210	5- 5
A380 1803	Timing Pulley - S5M 22Z	5- 6

Part No.	Description	Page and Index No
A380 1805	Tray Lift Shaft	5- 12
A380 1806	Dreive Gear - 42Z	5- 15
A380 1810	Timing Belt Clamp	5- 1
A380 1820	Front Idler Bracket	5- 7
A380 1825	Rear Idler Bracket	5- 13
A380 1935	Rear Guide Sheet	11- 18
A380 1941	Side Fence Adjuster - Upper (LT)	11- 22
A380 1942	Side Fence Adjuster - Lower	13- 14
A380 2053	Reverse Gear - 30Z	9- 26
A380 2211	Pick-up Arm	7- 24
A380 2280	Pick-up Solenoid	7- 19
A380 2331	Sensor Bracket	9- 30
A380 2390	Idler Gear - 33Z	7- 20
A380 2418	Drive Gear - 22Z	7- 18
A380 2431	Solenoid Cover	7- 7
A380 2458	Drive Gear - 22Z	9- 20
A380 2460	Pick-up Release Spring	7- 9
A380 2490	Reverse Roller Pressure Spring	11- 1
A380 2494	Presure Spring	7- 22
A380 5604	Relay Harness - Paper Feed	7- 10
A380 5605	Relay Harness - Paper Tray	13- 6
A421 2543	Friction Pad	5- 10
A609 1182	Decal - Misfeed Removal	15- 3
A609 1182	Decal - Misfeed Removal	3- 22
A609 1298	Paper Sensor Holder (LT)	3- 15
A609 1355	Upper Stay (LT)	13- 12
A609 1357	Safety Switch Cover	11- 7
A609 1359	Micro Switch Plate	11- 10
A609 1602	Joint - Drive	11- 24
A609 1603	Drive Gear	11- 12
A609 1851	Front Side Fence (LT)	11- 21
A609 1852	Rear Side Frnce (LT)	11- 17
A609 1915	Paper Holder (LT)	11- 13
A609 1916	Side Fence Pad (LT)	11- 16
A609 5600	Main Harness	11- 15

Part No.	Description	Page and Index No.
A609 5610	Relay Harness	7- 15
A683 2666	Pressure Lever	9- 18
A698 1020	Holder - Ass'y (A4)	3- 5
A698 1151	Front Cover	3- 1
A698 1161	Rear Lower Cover	3- 20
A698 1171	Rear Upper Cover	3- 21
A698 1201	Cover - Misfeed Removal	3- 13
A698 1215	Rear Hinge	3- 14
A698 1221	Upper Cover	3- 6
A698 1232	Door Catch	3- 7
A698 1233	End Fence Shaft	3- 9
A698 1251	Right Cover	3- 19
A698 1298	Plate - Switch (A4)	3- 15
A698 1352	Left Bracket (A4)	13- 3
A698 1355	Stay:upper (A4)	13- 12
A698 1601	Motor Bracket	11- 20
A698 1753	Timing Belt Bracket	5- 4
A698 1851	Side Fence - Front (A4)	11- 21
A698 1852	Side Fence - Rear (A4)	11- 17
A698 1910	Paper Holder (A4)	11- 16
A698 1910	Paper Holder (A4)	11- 13
A698 1941	Positioning Plate - Side Fence (A4)	11- 22
A698 2251	Reverse Drive Shaft	9- 15
A698 2271	Upper Stay	7- 6
A698 2281	Solenoid Bracket	7- 8
A698 2342	Reverse Driven Shaft	9- 6
A698 2353	Feed Roller Bracket	7- 25
A698 2421	Harness Clamp Bracket	7- 14
A698 5330	Upper Sensor Harness	7- 5
A698 5360	Grounding Harness	13- 8

Part No.	Description	Page and Index No
5215 2621	Snap Ring - M6	7- 11
5447 2681	Snap Ring	3- 10
5447 2681	Snap Ring	7- 12
5447 2681	Snap Ring	9- 3
5447 2706	Gear - 15T	7- 28
5875 2088	Shoulder Screw - M4	5- 14

Part No.	Description	Page and Index No.
0313 0040B	Philips Pan Head Screw - M3x4	9-109
0313 0250B	Philips Pan Head Screw - M3x25	11-109
0313 0350B	Philips Pan Head Screw - M3x35	11-101
0314 0120B	Philips Pan Head Screw - M4x12	3-107
0314 0200B	Philips Pan Head Screw - M4x20	5-103
0344 0050F	Philips Truss Head Screw - M4x5	11-112
0450 4012Z	Tapping Screw - M4x12	3-108
0451 3006B	Tapping Screw - M3x6	7-108
0451 3010B	Tapping Screw - M3x10	7-105
0451 4006B	Tapping Screw - 4x6	9-105
0451 4006B	Tapping Screw - 4x6	7-103
0451 4008B	Philips Tapping Screw - M4x8	5-101
0451 4008B	Philips Tapping Screw - M4x8	13-101
0451 4008B	Philips Tapping Screw - M4x8	11-105
0451 4008B	Philips Tapping Screw - M4x8	9-102
0451 4008B	Philips Tapping Screw - M4x8	7-111
0451 4008B	Philips Tapping Screw - M4x8	3-102
0451 4008H	Tapping Screw - 4x8	3-101
0451 4016B	Tapping Screw - M4-16	7-109
0452 4008B	Tapping Screw - M4x8	3-104
0452 4010B	Tapping Bind Screw - M4x10	11-116
0452 4012B	Tapping Bind Screw - M4x12	3-106
0453 3006B	Tapping Screw - M3x6	7-102
0453 3008B	Bind Tapping Screw - M3x8	11-106
0453 3010B	Binding Screw	13-103
0453 4008B	Tapping Bind Screw - M4x8	13-104
0573 0030E	Hexagon Headless Set Screw - M3x3	9-108
0573 0040E	Hexagon Headless Set Screw - M3x4	7-110
0574 0050E	Hexagon Headless Set Screw - M4x5	7-112
0708 0030B	Washer - M3	11-107
0708 0040B	Washer - M4	5-107
0720 0020E	Retaining Ring - M2	3-105
0720 0040B	Retaining Ring - M4	7-107
0720 0040B	Retaining Ring - M4	9-106
0720 0040B	Retaining Ring - M4	11-117

Part No.	Description	Page and Index No
0720 0050B	Retaining Ring - M5	9-110
0720 0050B	Retaining Ring - M5	5-104
0720 0050B	Retaining Ring - M5	11-114
0720 0060B	Retaining Ring - M6	9-103
0720 0060B	Retaining Ring - M6	5-102
0720 0060B	Retaining Ring - M6	7-106
0742 3808	Ball Bearing - 8x16x5	5-105
0805 3145	Ball Bearing - 6x12x4mm	9-107
0805 3270	Ball Bearing - 8x16x5mm	5-108
0805 3389	Bushing - 8x10x6mm	11-113
0807 5056	Washer - 8.1mm	11-115
0950 4006B	Screw - M4X6	13-108
0951 4016B	Philips Screw With Flat Washer - M4x16	3-103
0957 4030B	Screw - M4X3	5-106
1105 0199	Clamp	7-101
1105 0200	Clamp	7-104
1105 0200	Clamp	9-104
1105 0200	Clamp	13-102
1105 0292	Wire Saddle	13-107
1105 0310	Harness Clamp - LWS-1S	11-110
1105 0310	Harness Clamp - LWS-1S	13-105
1105 0328	Harness Clamp - ES-0505	9-101
1106 0241	Bushing - 6.7mm	13-106
1204 0192	Microswitch - UL	11-102
1204 0704	Micro Switch - D2RV-G	11-108
1204 1148	Microswitch	11-103
1204 2136	Micro Switch	11-104